

# UTS / UTSM

UNIVERSAL TAPE SWITCH SYSTEM  
(SWITCH/ADAPTERS/MOUNT)



UTS7T + UTSM



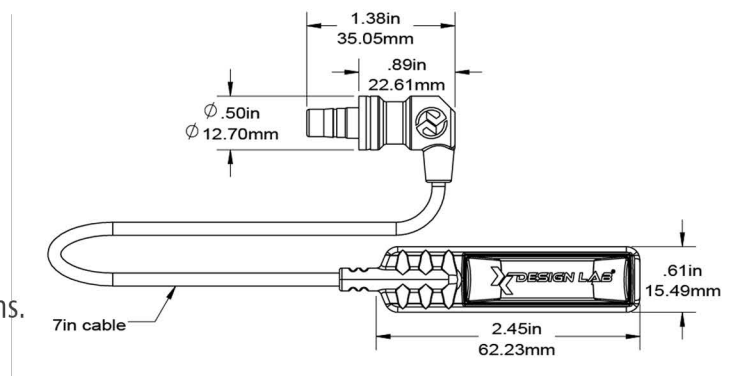
UTS7 + UTSM



UTS7A + UTSM

## Features

The UTS System provides reliable remote activation for any M5x, M7x, PRX series Weapon lights. Switch, cable, and connector are an integral unit that plugs into the tailcap socket. Pressure-activated switch attaches to firearm via adhesive-backed Velcro® pad. Aluminium parts are Mil spec hard anodized type III - Matte Black. UTS7 features 7-inch cable, which fits most rifle/carbine applications. Entire unit is O-ring sealed at both ends, weatherproof.



UTS7A Tailcap module screws onto Universal Mount Compact Light bodies M5x, M5x-WIR, PRX, and PR1 Tactical Illuminator.

The UTS7 and UTS7T also supports Surefire® Scout Light® Weapon Light. UTS7 Tailcap module screws onto Scout Light® body.

The UTSM mounts to picatinny rails securely and provides protective housing for remote tape switch. The UTSM also accepts Surefire® Tape switch.

\*Surefire and Scout Light is registered trade mark of Surefire LLC.



# UTS / UTSM

UNIVERSAL TAPE SWITCH SYSTEM  
(SWITCH/ADAPTERS/MOUNT)



UTSM



UTS SYSTEM



UTS7



UTS7A



UTSM



UTS7T



M51 / M51-IR / PRX / PRX-3M



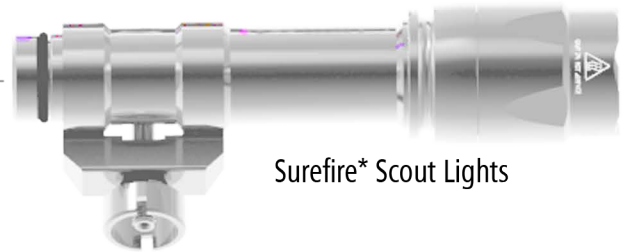
M51-WIR



M52



M52-WIR



Surefire\* Scout Lights

## Warranty

PK Design Lab offers a One-Year warranty on products that are faulty, damaged or fail due to normal usage. Products that are in any way altered and/or disassembled by the consumer, other than by battery removal and/or exchange, or used in a manner that is beyond reasonable or the intended use is not covered by warranty.

For repair or replacement contact your dealer with an original purchase receipt  
info@pkdesignlab.com / USA 1-714-248-8266



\*Surefire and Scout Light is registered trade mark of Surefire LLC.

March 11, 2018

